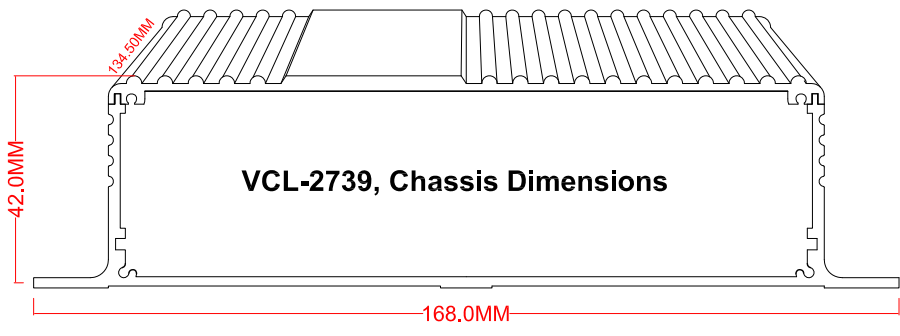


REVISION
 DATE
 NAME
 CHECK
 CHECK
 CHECK
 APPR.

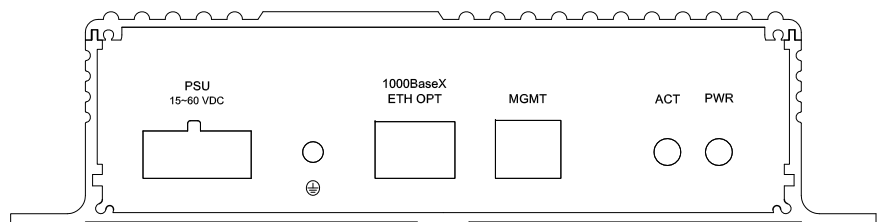
1 2 3 4 5 6 7 8 9 10 11 12 13 14 15

Mechanical Drawing of VCL-2739 IEEE 1588, PTP Switch

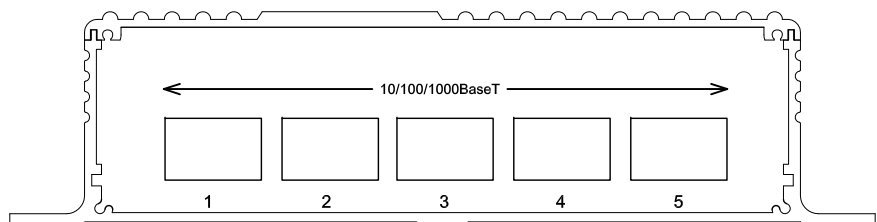
VCL-2739	
Mechanical Dimensions	
Width	168.0 MM
Height	42.0 MM
Depth	134.50 MM
Weight	.5kg



Front View



Rear View



Title: Mechanical Drawing of VCL-2739 IEEE 1588, PTP Switch



Valiant
Communications

Drawing No:
EMD-2739/PTP/02

Date	Rev	Sheet	01
Nov 10, 2021	02	Next Sheet	02

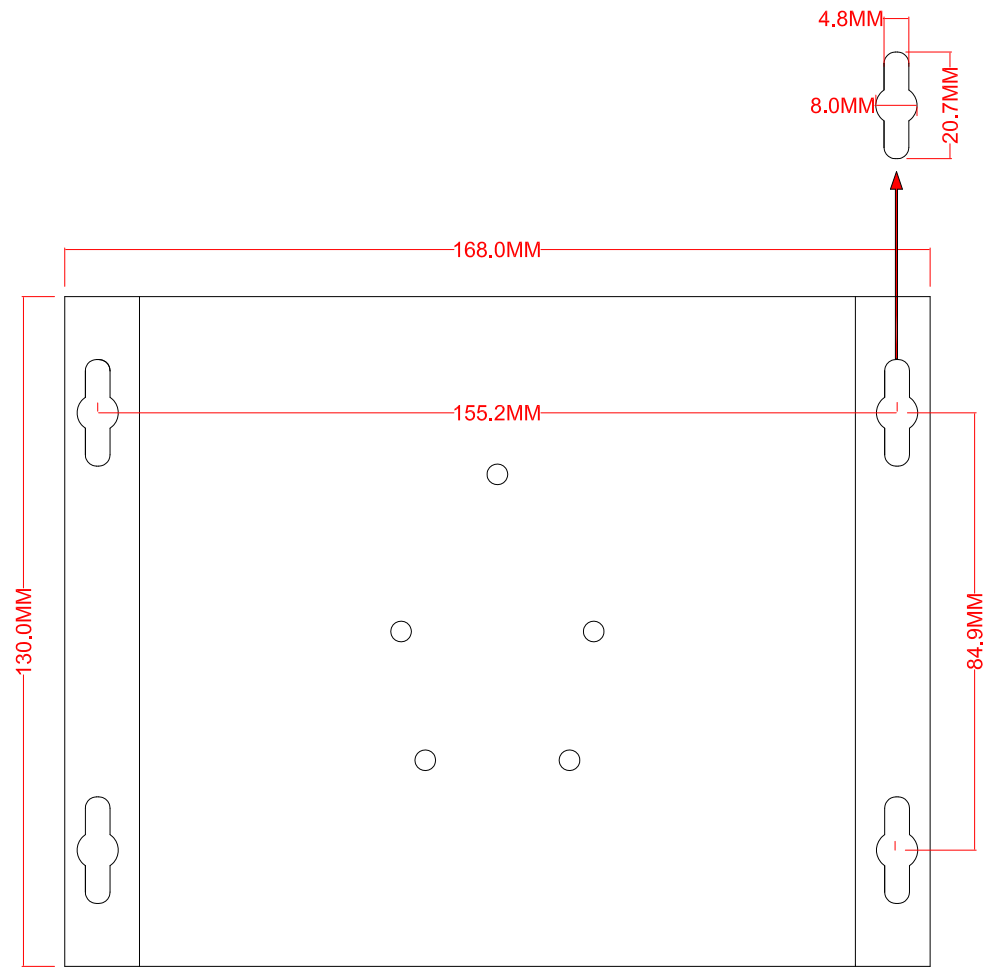
K
 J
 I
 H
 G
 F
 E
 D
 C
 B
 A

APPR.
CHECK
DATE
REVISION
REVISION
CHECK
CHECK
NAME
DATE
REVISION

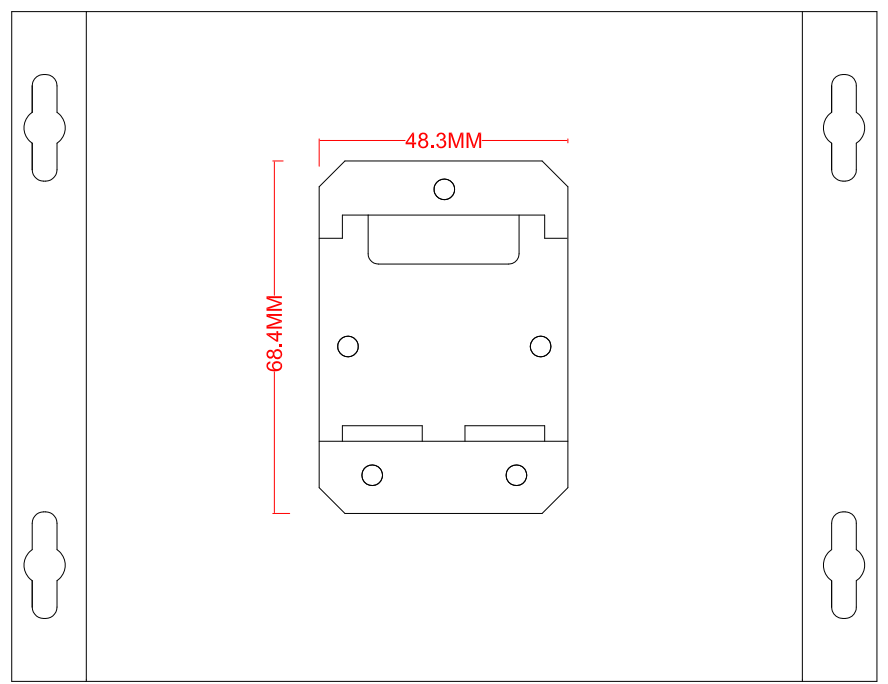
The Drawing and any information or descriptive matter set out hereon are the confidential property of Valiant Communications and must not be disclosed, loaned, copied or used for manufacturing, tendering or any other purpose without their written permission

Mechanical Drawing of VCL-2739 IEEE 1588, PTP Switch

VCL-2739 Bottom View	
Mechanical Dimensions	
Width	168.0 MM
Height	130.0 MM



Bottom View



Bottom View with DIN Rail