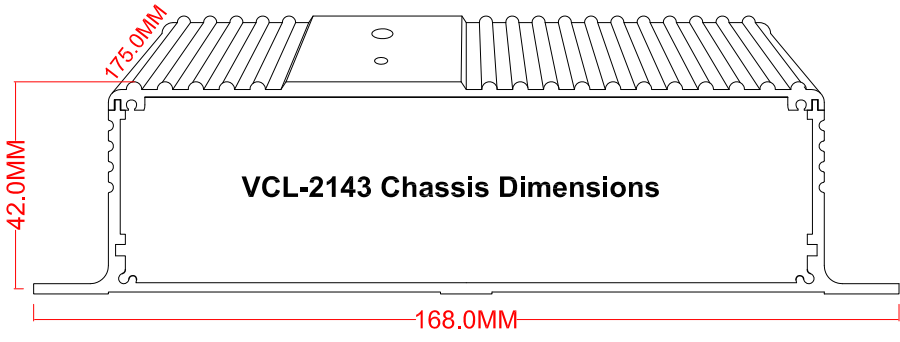


REVISION
 DATE
 NAME
 CHECK
 CHECK
 APPR.
 The Drawing and any information or descriptive matter set out hereon are the confidential property of Valiant Communications and must not be disclosed, loaned, copied, used for manufacturing, tending or any other purpose without their written permission

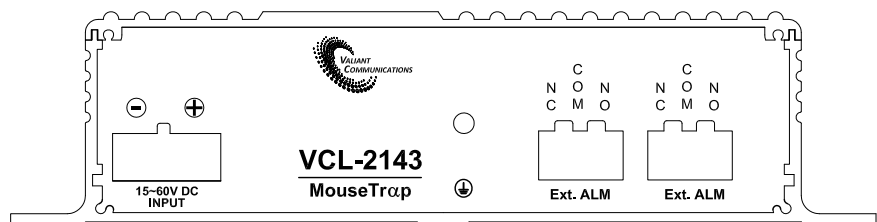
1 2 3 4 5 6 7 8 9 10 11 12 13 14 15

Mechanical Drawing of VCL-2143 MouseTrap

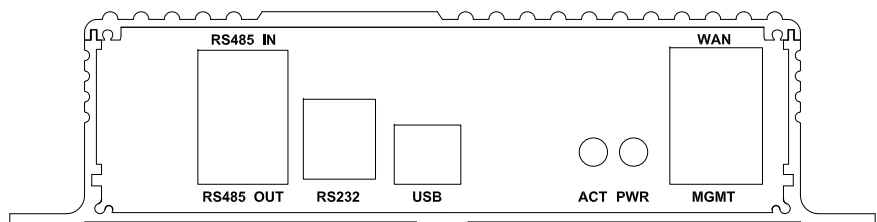
VCL-2143	
Mechanical Dimensions	
Width	168.0 MM
Height	42.0 MM
Depth	175.0 MM
Weight	0.7kg



Front View



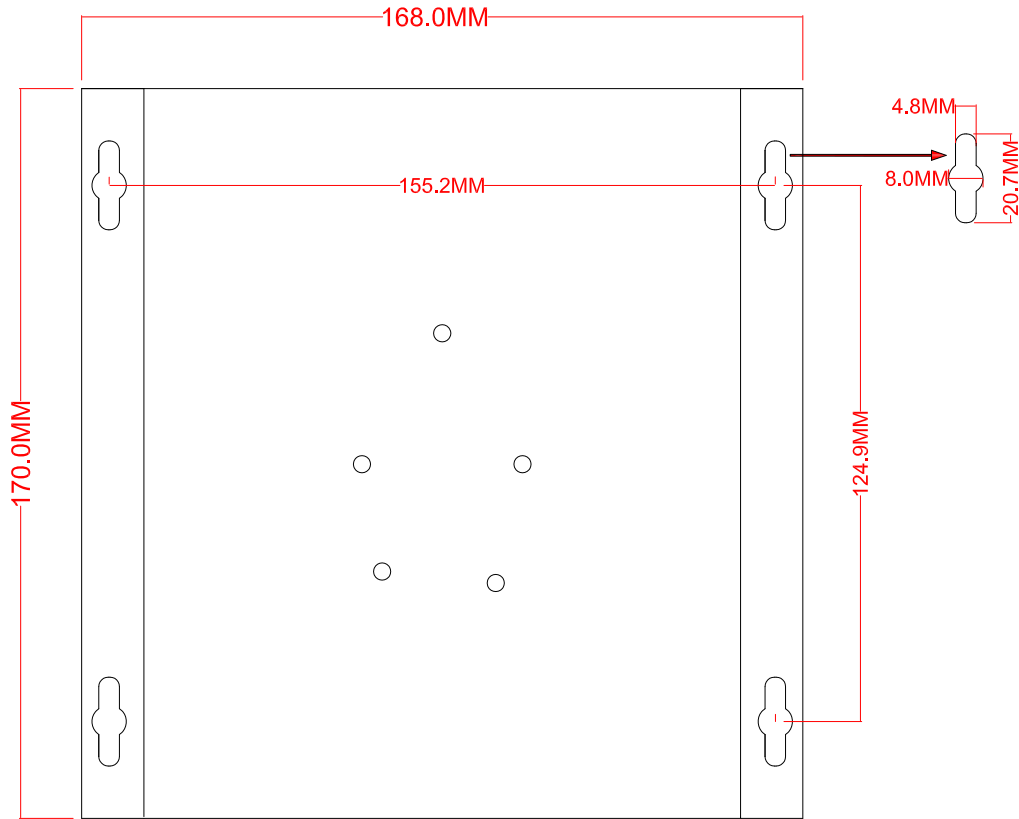
Rear View



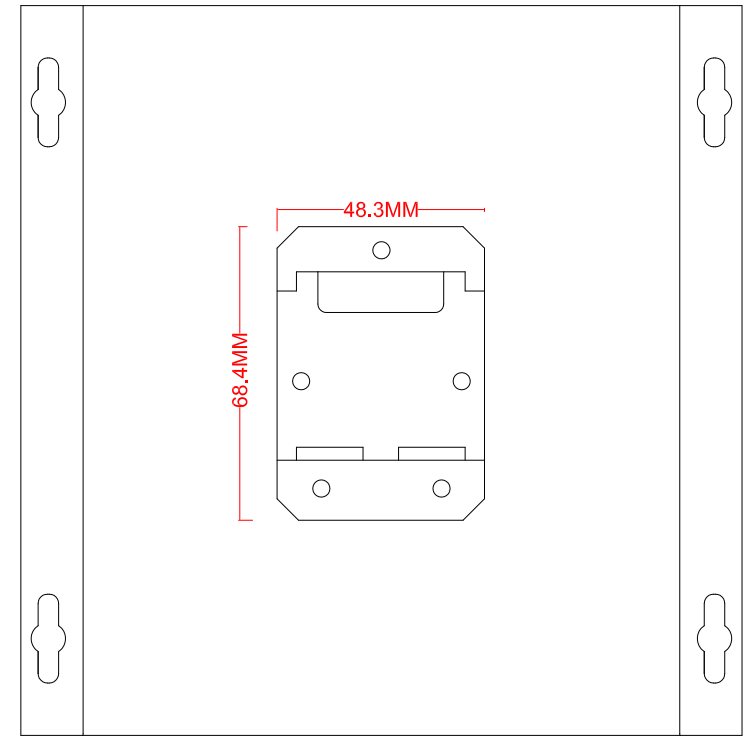
Title: Mechanical Drawing of VCL-2143 MouseTrap	 Valiant Communications	Drawing No: EMD-2143/MouseTrap /002	Date	Rev	Sheet	01
			Nov 10, 2021	02	Next Sheet	02

Mechanical Drawing of VCL-2143 MouseTrap

VCL-2143 Bottom View	
Mechanical Dimensions	
Width	168.0 MM
Height	170.0 MM



Bottom View



Bottom View with DIN Rail

The Drawing and any information or descriptive matter set out hereon are the confidential property of Valiant Communications and must not be disclosed, loaned, copied, used for manufacturing, tending or any other purpose without their written permission.

REVISION	DATE	NAME	CHECK	CHECK	REVISION	DATE	CHECK	CHECK	APPR.

Title: Mechanical Drawing of VCL-2143 MouseTrap	 Valiant Communications	Drawing No: EMD-2143/MouseTrap /002	Date	Rev	Sheet	02
			Nov 10, 2021	02	Next Sheet	END