



16 x E1 120 Ohms (RJ45) to 75 Ohms (BT43 Male Connector) Converter

Data Sheet & Product Brochure

U.S.A.

Valcomm Technologies Inc.
4000 Ponce de Leon Blvd.,
Suite 470, Coral Gables,
FL 33146, U.S.A.

E-mail: us@valiantcom.com

U.K.

Valiant Communications (UK) Ltd
Central House Rear Office,
124 High Street, Hampton Hill,
Middlesex TW12 1NS, U.K

E-mail: gb@valiantcom.com

INDIA

Valiant Communications Limited
71/1, Shivaji Marg,
New Delhi - 110015,
India

E-mail: mail@valiantcom.com

**E1, 120 Ohms (RJ45) to E1, 75 Ohms (BT43 Male Connector) Converter
19-Inch Rack Mount Version:**

E1, 120 Ohms (RJ45) to E1, 75 Ohms (BT43 Male Connector) Converter

What does it do?

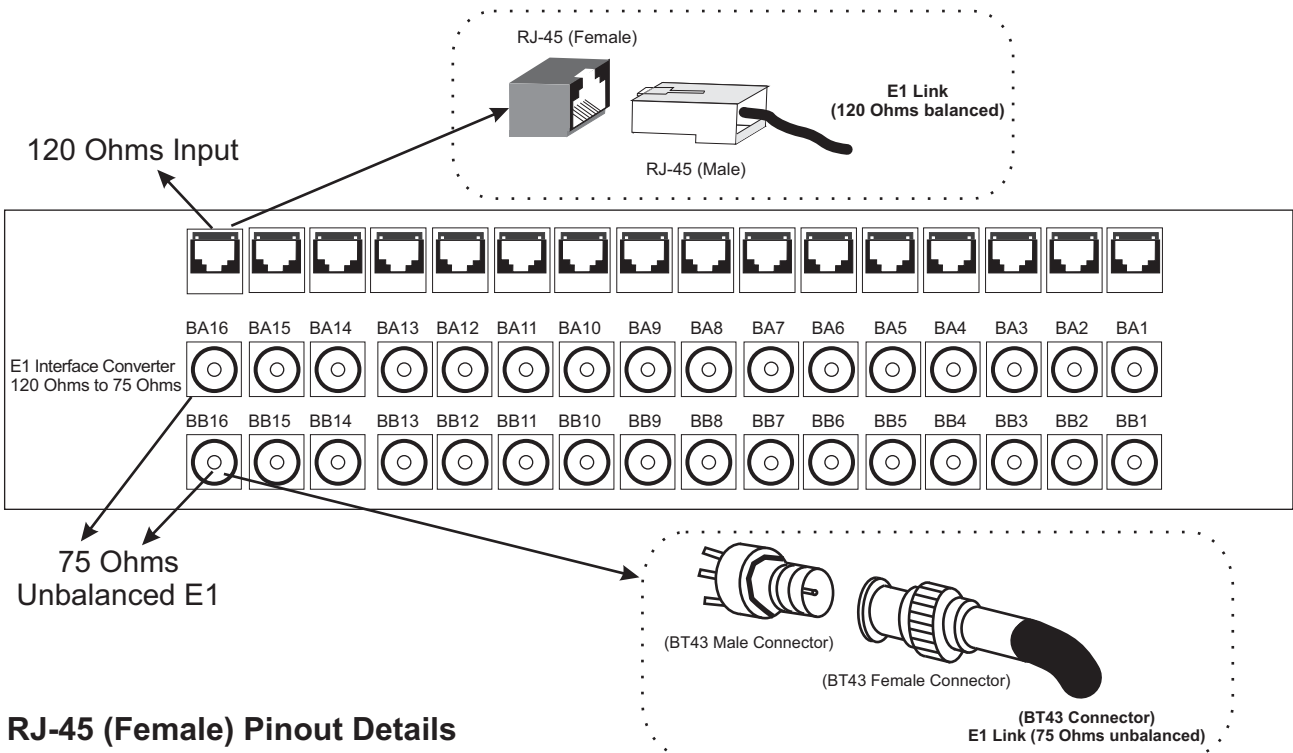
The E1, 120 Ohms (RJ45) to E1, 75 Ohms (BT43 Male Connector) Converter, may be used to convert up to 16, E1, 120 Ohms (RJ45) Interfaces to E1, 75 Ohms (BT43 Male Connector) Interfaces.

Application Where is it used?

The E1, 120 Ohms (RJ45) to E1, 75 Ohms (BT43 Male Connector) Converter, may be used in applications where the user requires to convert up to 16 (or fewer), E1, 120 Ohms (RJ45) Interfaces to 16 (or fewer) E1, 75 Ohms (BT43 Male Connector) Interfaces.

Connecting / Converting an E1, 120 Ohms (RJ45) Interface to an E1, 75 Ohms (BT43 Male Connector) Interface.

**120 Ohms/75 Ohms Converter
19 inch Rack Mount Version**

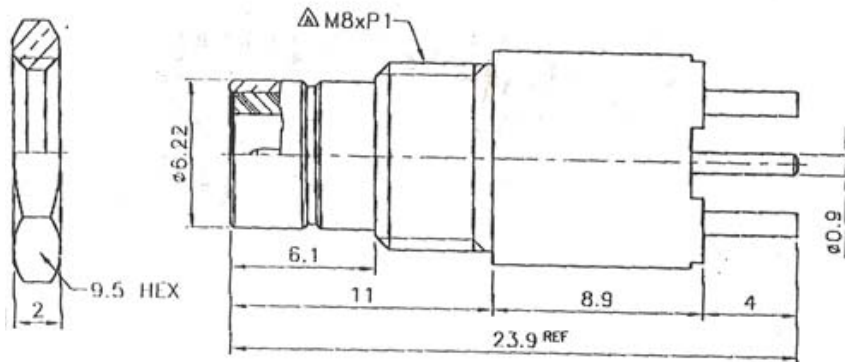


RJ-45 (Female) Pinout Details

RJ-45 (Female) Pin #	BT43 Male Connector
1	BA
2	BA
4	BB
5	BB



Connector Details



Mechanical Drawing - BT43 Male Connector

Material and Plating:

Body	Brass, gold plated
Center contacts	Phosphor bronze, gold plated
Insulators	PTFE

Electrical Characteristics:

Characteristic impedance	75 Ohms
Working Voltage	330 V
Frequency range	0-1 GHz
Contact resistance initial value	Center contact: 10 mohm Outer contact: 5 mohm
Dielectric withstanding voltage	1000 V
Insulation resistance	10000 M

Mechanical Specification

Rack Mounting	Standard 19 Inch. DIN Rack
Height	90 mm.
Width	45 mm.
Length	485 mm. (with mounting brackets)
Weight	1.4 kg.

Ordering Information

16 x E1 120 Ohms to 75 Ohms (BT43 Male Connector) Converter		
Part #	Product Description	Qty
VCL-1477-CONV-120-RJ45F-75-BT43M-16	16 x E1 120 Ohms to 75 Ohms Converter (RJ45 to BT43 Male Connector)	1

Technical specifications are subject to changes without notice.
Revision 4 - March 11, 2022

U.S.A.
Valcomm Technologies Inc.
4000 Ponce de Leon Blvd.,
Suite 470, Coral Gables,
FL 33146, U.S.A.
E-mail: us@valiantcom.com

U.K.
Valiant Communications (UK) Ltd
Central House Rear Office,
124 High Street, Hampton Hill,
Middlesex TW12 1NS, U.K
E-mail: gb@valiantcom.com

INDIA
Valiant Communications Limited
71/1, Shivaji Marg,
New Delhi - 110015,
India
E-mail: mail@valiantcom.com